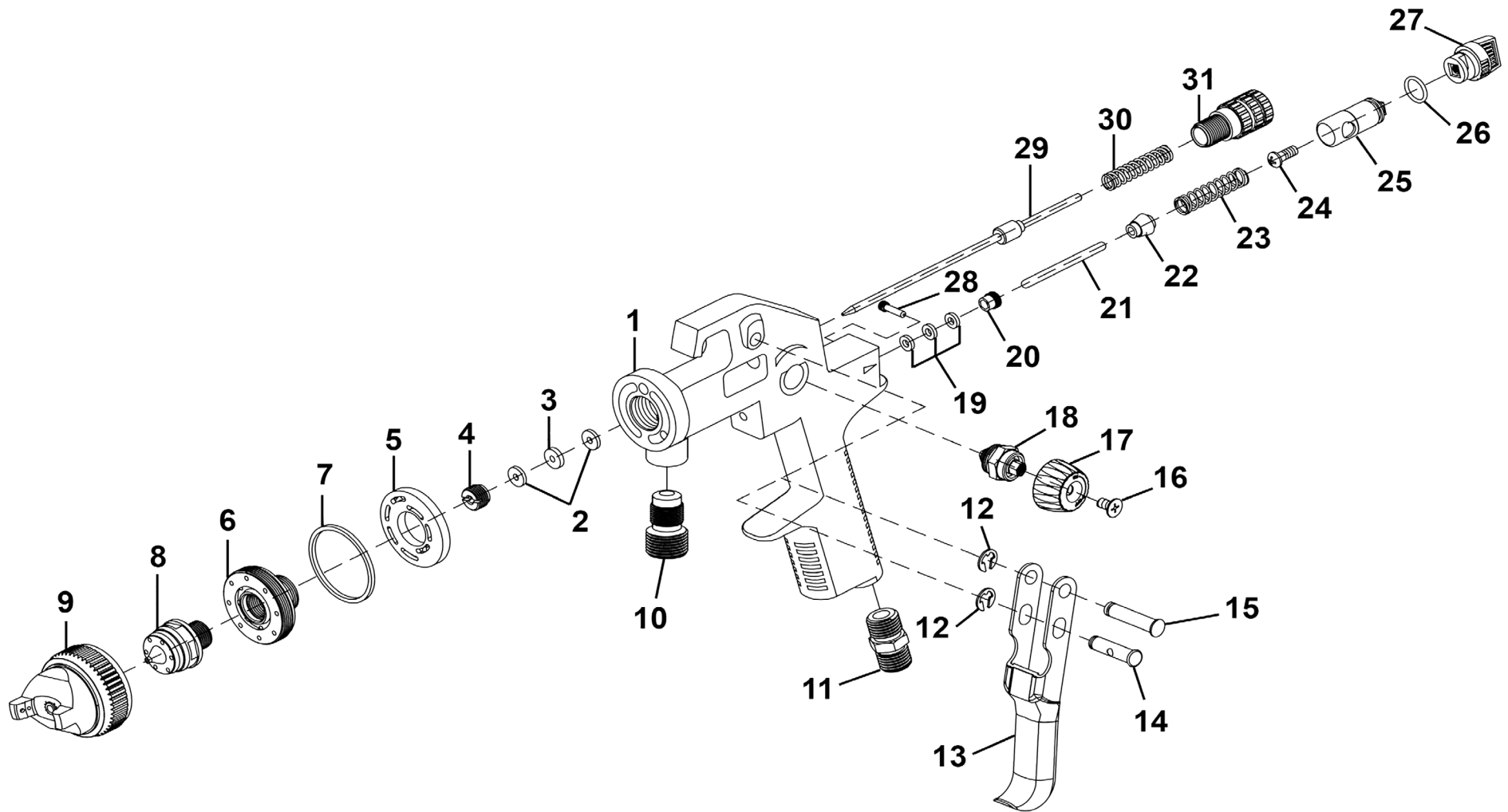




Parts Information:  
Spray Gun 1.7mm Set-Up for HVLP-79/P  
Model No: HVLP-79/P1.V3



**NOTE:** It is our policy to continually improve products and as such we reserve the right to alter data, specifications and component parts without prior notice.

There may be alternative versions of this product, please contact us should you require this information.

**IMPORTANT:** No liability is accepted for incorrect use of product. Spare parts must be fitted by a competent person

**WARRANTY:** Guarantee is 12 months from purchase date, proof of which will be required for any claim.

Sealey Group, Kempson Way, Suffolk Business Park, Bury St Edmunds, Suffolk. IP32 7AR



01284 757500



sales@sealey.co.uk



www.sealey.co.uk



Parts Information:  
**Spray Gun 1.7mm Set-Up for HVLP-79/P**  
**Model No: HVLP-79/P1.V3**

Item	Part No.	Description
1	HVLP-79-P1-V3-01	Gun Body
2	HVLP-79-P1-V3-19	Sealing Gasket
3	HVLP-79-P1-V3-03	Teflon Seal
4	HVLP-79-P1-V3-04	Needle Sealing Screw
5	HVLP-79-P1-V3-05	Air Support Ring
6	HVLP-79-P1-V3-06	Nozzle Seat
7	HVLP-79-P1-V3-07	Nozzle Seat Gasket
8	HVLP-79-P1-V3-08	Air Nozzle 1.7mm
9	HVLP-79-P1-V3-09	Air Cap 1.7mm
10	HVLP-79-P1-V3-10	Fluid Joint
11	HVLP-79-P1-V3-11	Air Connector
12	HVLP-79-P1-V3-12	E-Ring
13	HVLP-79-P1-V3-13	Trigger
14	HVLP-79-P1-V3-14	Trigger Pin (with Hole)
15	HVLP-79-P1-V3-15	Trigger Pin
16	MSC48.S	Csk Phillips Machine Screw M4 X 8 Zinc
17	HVLP-79-P1-V3-17	Pattern Adjustment Knob
18	HVLP-79-P1-V3-18	Pattern Adjustment Assembly
19	HVLP-79-P1-V3-19	Sealing Gasket
20	HVLP-79-P1-V3-20	Sealing Screw
21	HVLP-79-P1-V3-21	Air Valve Stem

Item	Part No.	Description
22	HVLP-79-P1-V3-22	Air Valve Seat
23	HVLP-79-P1-V3-23	Air Valve Spring
24	MSP410.S	Machine Screw Pan Head Phillips M4 X 10mm
25	HVLP-79-P1-V3-25	Airflow Adjustment Seat
26	HVLP-79-P1-V3-26	O-Ring (Ex: 12 In: 9 Cs: 1.50)
27	HVLP-79-P1-V3-27	Airflow Adjustment Knob
28	HVLP-79-P1-V3-28	Stud Bolt
29	HVLP-79-P1-V3-29	Paint Needle 1.7mm
30	HVLP-79-P1-V3-30	Paint Needle Spring
31	HVLP-79-P1-V3-31	Paint Needle Adjustment Knob
--	HVLP-79-P1-V3-SET1.2	Set-Up 1.2mm (Not Shown)
--	HVLP-79-P1-V3-SET1.4	Set-Up 1.4mm (Not Shown)
--	HVLP-79-P1-V3-SET1.5	Set-Up 1.5mm (Not Shown)
--	HVLP-79-P1-V3-SET1.8	Set-Up 1.8mm (Not Shown)
--	HVLP-79-P1-V3-SET2.0	Set-Up 2.0mm (Not Shown)
--	HVLP-79-P1-V3-SET2.5	Set-Up 2.5mm (Not Shown)

**NOTE:** It is our policy to continually improve products and as such we reserve the right to alter data, specifications and component parts without prior notice. There may be alternative versions of this product, please contact us should you require this information.

**IMPORTANT:** No liability is accepted for incorrect use of product. Spare parts must be fitted by a competent person

**WARRANTY:** Guarantee is 12 months from purchase date, proof of which will be required for any claim.

Sealey Group, Kempson Way, Suffolk Business Park, Bury St Edmunds, Suffolk. IP32 7AR



01284 757500



sales@sealey.co.uk



www.sealey.co.uk